

## 1 Check Contents

Make sure all of the items above are included in the camera kit.

**CLASS 1 LASER PRODUCT**

This camera is a Class 1 Laser Product that complies with IEC 60825-1:2014.



### Caution

Use of controls or adjustments or performance of procedures other than those specified herein may result in hazardous radiation exposure.

### Attention

*L'utilisation des commandes ou réglages ou l'exécution des procédures autres que celles spécifiées dans les présents exigences peuvent être la cause d'une exposition à un rayonnement dangereux.*

## 2 Prepare to Install the Camera

### 2.1 Install FLIR Discovery Network Assistant

Download the FLIR Discovery Network Assistant (DNA) tool to a computer on the same VLAN to which you will connect the camera, and then unzip the file. The DNA tool does not require a license to use and is a free download from [www.teledynelifir.com](http://www.teledynelifir.com) > Products > Security > Thermal Security Cameras > FLIR Elara DX-Series.

### 2.2 Perform a Bench Test (Optional)

You can test the camera or configure it for networking before mounting it. Follow the instructions in [3.4 Connect the Camera](#) and [4.1 Configure for Networking](#), and then continue with [2.3 Select a Location](#).

### 2.3 Select a Location

Select a suitable location to mount the camera.

For advice on positioning and orienting the camera and the optional wash system, see the camera's installation and user guide and the wash system's instructions manual.

Verify that the operating temperature range is between  $-40^{\circ} \sim 60^{\circ} \text{C}$  ( $-40^{\circ} \sim 140^{\circ} \text{F}$ ), 0-95% relative humidity (non-condensing).

For the list of mounting accessories available for the camera, see the *FLIR Security Cameras - Accessory Guide*.

## 3 Install the Camera

### 3.1 Fit Mounting Hardware

If required, install the mounting hardware for the camera according to the instructions in the camera's installation and user guide.

### 3.2 Route Network and Power

Properly install the power and network cabling in the mounting hardware so that it is accessible when the camera is mounted.

**Power:** Universal Power over Ethernet (PoE) 60W 4 pair forced mode, 24 VAC, or 24 VDC.

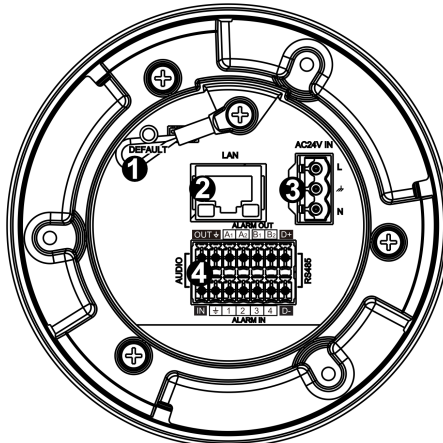
**Ethernet:** Cat5e or Cat6 cable. Ethernet is required for streaming video and configuring the camera.

### 3.3 Mount and Secure the Camera



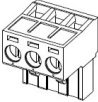
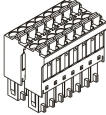
Mount and secure the camera according to the instructions in the camera's installation and user guide.

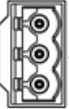
If you are installing an optional wash kit, mount and secure it according to the instructions in the camera's installation and user guide, and according to the wash kit's instructions manual.

## 3.4 Connect the Camera



Connectors

Connector		Connection	
1	DEFAULT	To reset factory defaults at any time, press the Default button for at least 20 seconds.	
2	LAN	Attach a Cat 5e or Cat 6 cable from the network switch to the RJ45 connector for a 10/100/1000 Mbps Ethernet and PoE connection. If using PoE, use a FLIR CP-POE-4P-60W-xx injector or a switch that supports Universal PoE 60W 4 pair forced mode. For more information about compatible injectors and recommended switches, contact Teledyne FLIR support. Verify that the LAN connector LEDs are steady green and flashing yellow.	
3	AC24V (DC24V) IN	If using a 24 VAC or 24 VDC power supply, connect it to the three-pin power terminal block plug according to the pin assignment shown.	
4	14-pin terminal block	Attach wires from external alarm and audio I/O devices to the 14-pin alarm/audio I/O terminal block plug according to the pin assignment shown.	

3-Pin Power Terminal Block	Pin	24 VAC	24 VDC
	1	L (Live; white; positive)	Pins 1 and 3 (polarity N/A)
	2	Ground (Earth)	
	3	N (Neutral; black; negative)	

14-Pin Alarm/Audio I/O Terminal Block	Pin	Definition	Pin	Definition
	1	Audio-Out	8	Not used
	2	Ground (Audio I/O)	9	Alarm-In 4
	3	Alarm-Out A1	10	Alarm-In 3
	4	Alarm-Out A2	11	Alarm-In 2
	5	Alarm-Out B1	12	Alarm-In 1
	6	Alarm-Out B2	13	Ground (Alarm I/O)
	7	Not used	14	Audio-In



### Warning!

This product contains a battery that is soldered to the PCB. There is a risk of explosion if the battery is replaced by an incorrect type. **Do not replace the battery.** The battery should be disposed of in accordance with the battery manufacturer's instructions.



### Caution

Use of controls or adjustments or performance of procedures other than those specified herein may result in hazardous radiation exposure.

## 4 Configure the Camera

You can configure the camera using the DNA tool, the camera's web page, or a VMS.

	DNA tool	Camera's web page
Discover camera IP address	•	
Configure IP address, mask, and gateway	•	•
Configure DNS settings, MTU, and Ethernet speed		•
Change user credentials	•	•
Configure more than one camera at the same time	•	


For more information about using a VMS to configure one or more cameras at the same time, see the VMS documentation.

### 4.1 Configure for Networking

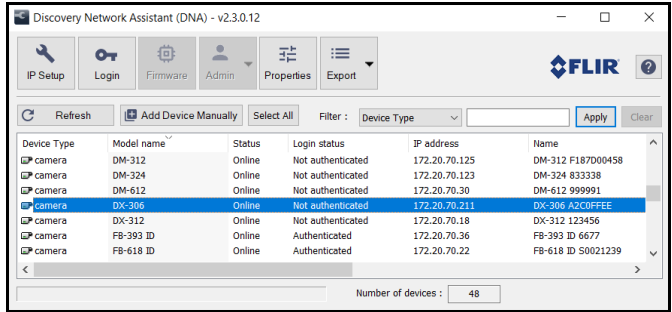
By default, DHCP is enabled on the camera and a DHCP server on the network assigns the camera an IP address. For example, if the camera is managed by a FLIR Horizon or Meridian VMS and the VMS is configured as a DHCP server, the VMS automatically assigns the camera an IP address.

If the camera is managed by a FLIR Latitude VMS or is on a network with static IP addressing, you can manually specify the camera's IP address using the DNA tool or the camera's web page. The camera's default IP address is 192.168.0.250.

## To configure the camera for networking using the DNA tool:

- a. Make sure the camera and the PC are on the same LAN segment.
- b. Run the DNA tool (DNA.exe) by double-clicking .

The Discover List appears, showing compatible devices on the VLAN and their current IP addresses.



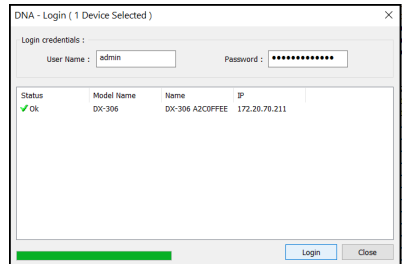
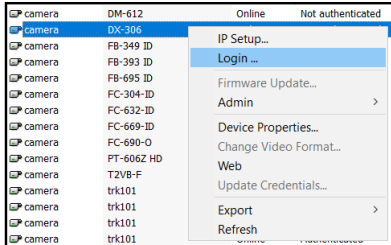
In the DNA Discover List, verify that the camera's status is *Online*.


If this is the first time you are configuring the camera or if it is the first time after resetting the camera to its factory defaults, DNA automatically authenticates the camera with the default password for the camera's admin user (*admin*).

If the admin user password has been changed, authenticate the camera.

In the DNA Discover List, right-click the camera and select **Login**.

In the **DNA - Login** window, type the password for the admin user. If you do not know the admin user password, contact the person who configured the camera's users and passwords.




Click **Login**, wait for  Ok status to appear, and then click **Close**.

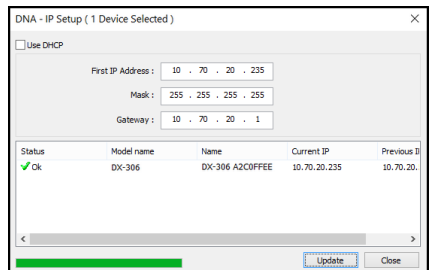
In the DNA Discover List, verify that the camera's status is *Authenticated*.

- d. Change the camera's IP address.

Right-click the camera and select **IP Setup**.

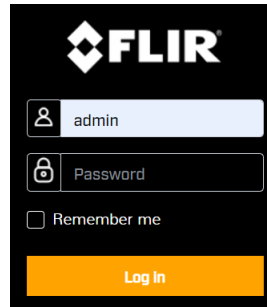
In the **DNA - IP Setup** window, clear *Use DHCP* and specify the camera's *IP address*. You can also specify the *Mask* (default: 255.255.255.0) and *Gateway*.

Then, click **Update**, wait for  Ok status to appear, and then click **Close**.



## To configure the camera for networking using the camera's web page:

- a. Open the camera's web page by double-clicking the camera in the DNA Discover List or by typing the camera's IP address in a web browser's address bar. The camera's web page supports Google Chrome® and other popular web browsers.



- b. On the login screen, type *admin* for the user name and the password for the admin user (default: *admin*).

- c. When logging in to the camera for the first time or for the first time after performing a factory default, specify a new password for the admin user.



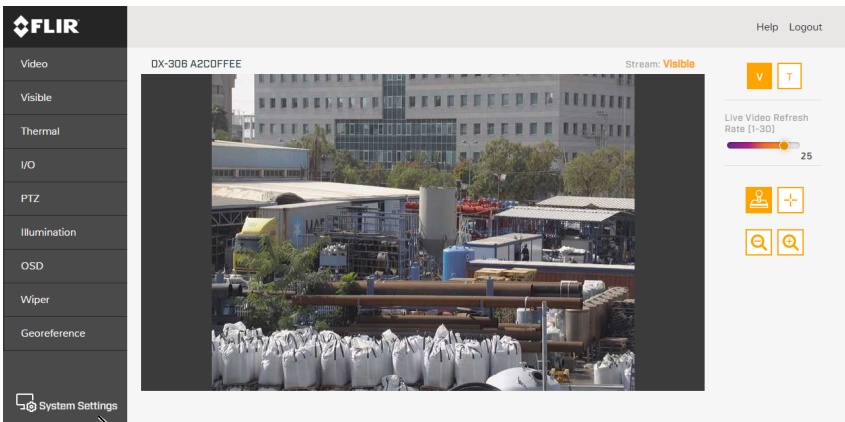
### Note

Use a strong password consisting of at least 12 characters and at least one uppercase letter, one lowercase letter, and one number. Passwords can include the following special characters: |@#~!\$&<>+ \_-.,\*? = .

Log back in with the new password.

The camera's View Settings Home Page opens.

- d. Click **System Settings**.



### System Settings

Make sure the Network page appears.

- e. You can select *Static* and manually specify the camera's *Hostname*, *IP address*, *Netmask*, and *Gateway*. You can also specify the *DNS Mode*, *Name Servers*, *MTU* (maximum transmission unit), and *Ethernet Speed*.

NETWORK DATE & TIME USERS

DHCP Static

Hostname Mode  
Static

Hostname

IP

Netmask

Gateway

DNS Mode  
DHCP

Name Server 1


Name Server 2

MTU

Ethernet Speed  
Auto

< BACK TO VIEW SETTINGS

- f. Click **Save**. If you have made any changes on the Network page, the camera reboots.

 **Note** For more information about configuring the camera for networking, see the camera's installation and user guide.

## 4.2 Configure and Test the Optional Wash Kit

If you have mounted and connected an optional wash kit, configure and test it and the camera's wiper according to the kit's instructions manual and according to the camera's installation and user guide.

### Caution

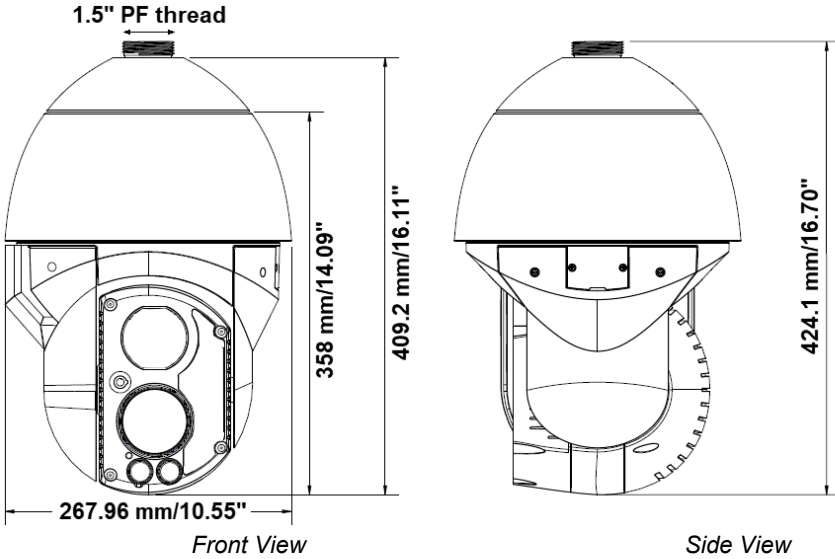
Before activating the wiper, make sure the lens windows are wet. Using the wiper when the windows are dry causes irreparable damage to the window coatings and voids the warranty.

## 4.3 Attach the Camera to a Supported VMS

After you have mounted the camera and discovered or defined its IP address, use VMS Discovery/Attach procedures to attach the camera to a supported VMS.

# 5 Camera Dimensions

Following are the Elara DX-Series camera's dimensions.



# 6 Register the Product

Register the product at <https://customer.flir.com>.

For warranty information, see <https://www.flir.com/support-center/warranty/security/flir-security-product-warranties/>.

# 7 Contact Information

Teledyne FLIR LLC  
6769 Hollister Avenue  
Goleta, CA 93117  
USA

Support: <https://support.flir.com/>

Corporate Headquarters  
27700 SW Parkway Ave.  
Wilsonville, OR 97070  
USA

